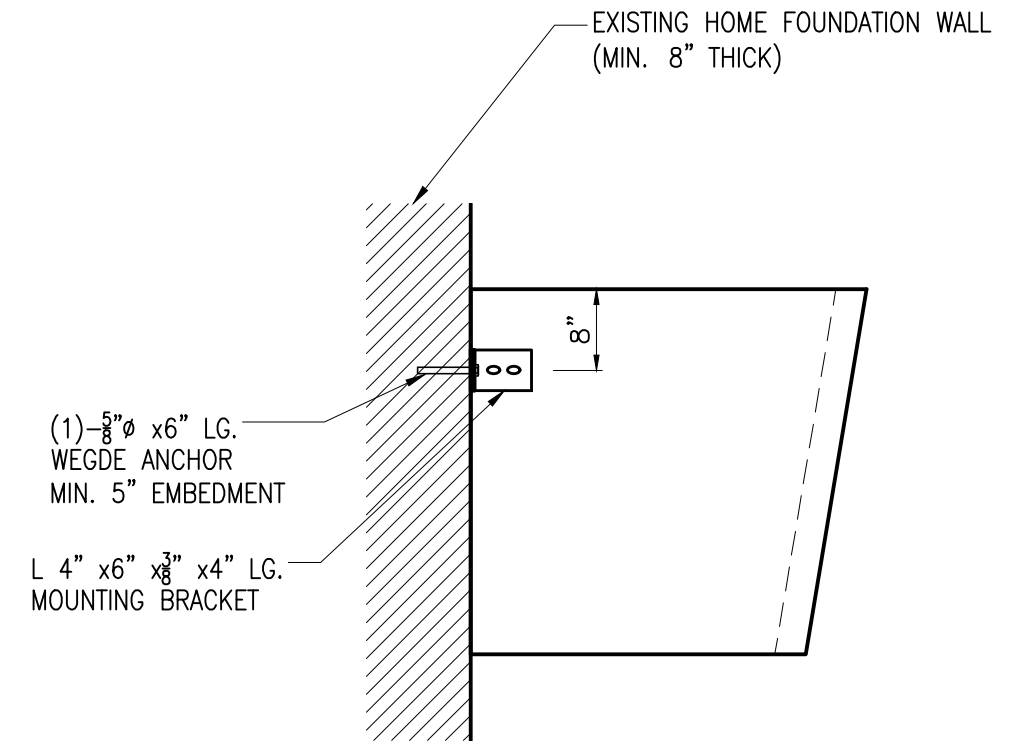
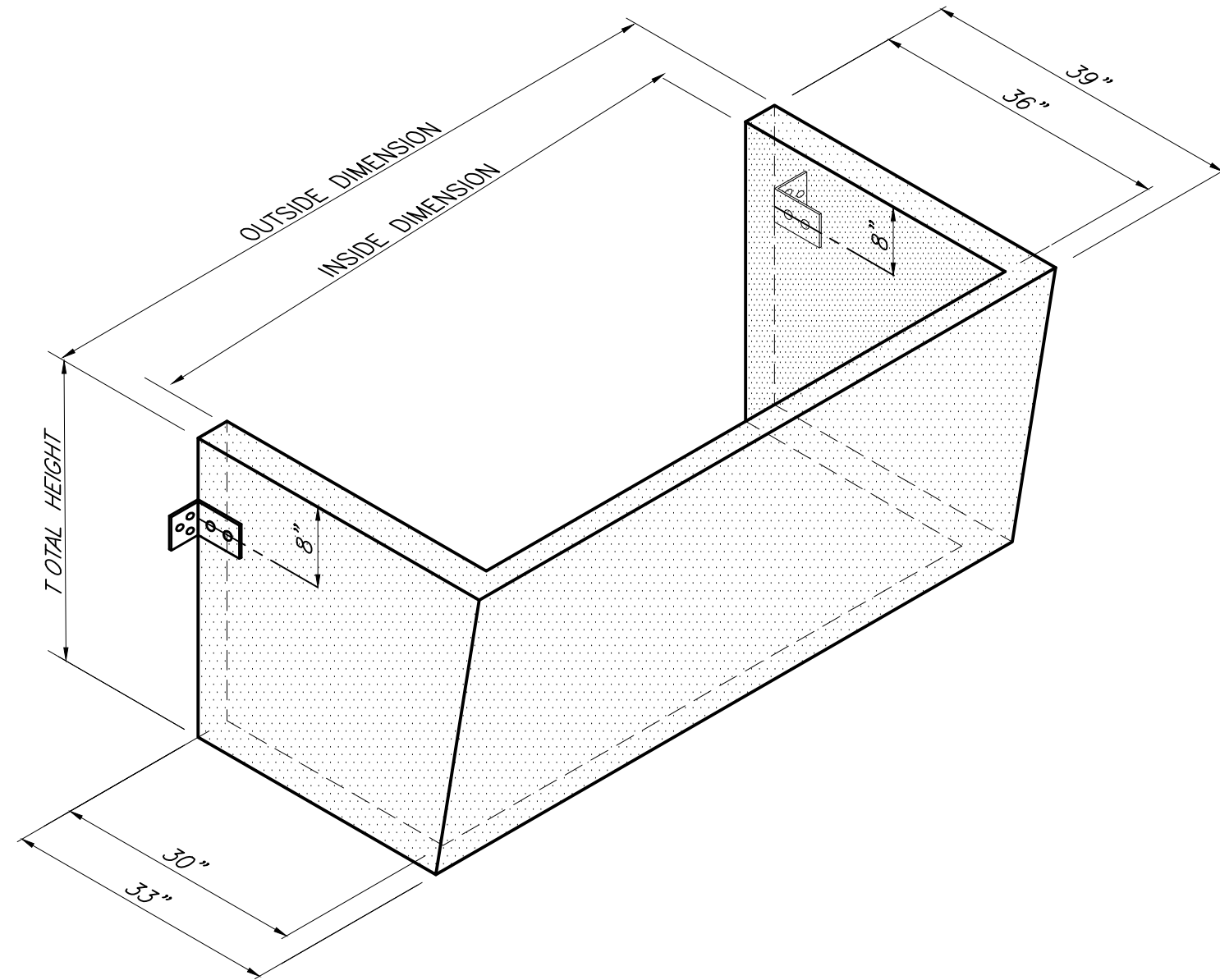


STANDARD WINDOW WELL



INSIDE DIMENSION (in)	OUTSIDE DIMENSION (in)	TOTAL HEIGHT DIMENSION (in)	WEIGHT (kg) VOLUME (m ³)
48"	56"	36"	680kg/0.285m ³
56"	64"	36"	725kg/0.305m ³
72"	80"	36"	820kg/0.345m ³
80"	88"	36"	862kg/0.360m ³
96"	104"	36"	955kg/0.400m ³
6" AND 12" EXTENSIONS AVAILABLE			

NOTE:
INSTALL WEDGE ANCHORS AS PER MANUFACTURE REQUIREMENTS.

DRAWING:

WINDOW WELL TO CONCRETE BASEMENT WALL CONNECTION



Drawn By	JXY	Date:	07/12/2021
Checked By	RGG	Date:	07/12/2021
QUOTE#	-	JOB#	-
CUSTOMER	-		
NO.	REVISION	Date:	
#			
#			
#			
DWG. 1 OF 1			