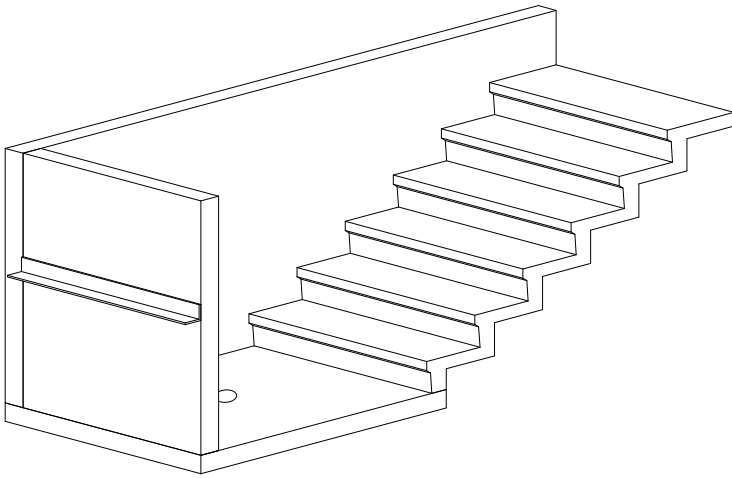


### STAIRWELLS

Our precast concrete stairwells are a versatile and cost effective option for secondary suites and are well suited for both rear and side walk ups. The stairwell width is adjustable from 48" to 36" (eliminating most property line issues) and available up to 6 risers. A 4" drainage hole is cast into the floor to allow for a plumbing hook up. The sides of this stairwell are smooth finish and the risers are cast with broom finish and our distinctive bull nosing.



**Need Help? Contact us today to request a quote or get more information about our products & services.**

**RED DEER PLANT** Office: 403-343-8000  
Toll Free: 800-859-5541

**CALGARY PLANT** Office: 403-261-3851  
Toll Free: 800-859-5541

**HEAD OFFICE** Office: 403-343-6099  
Toll Free: 800-859-5541

**PROFORM**  
CONSTRUCTION PRODUCTS