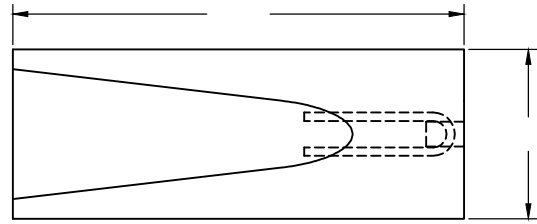
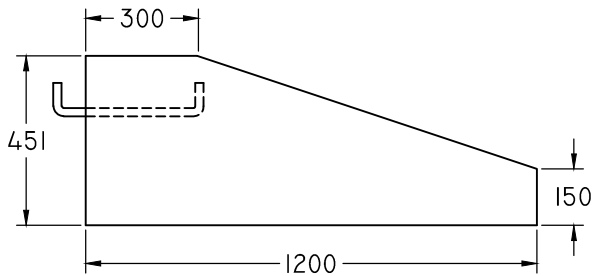


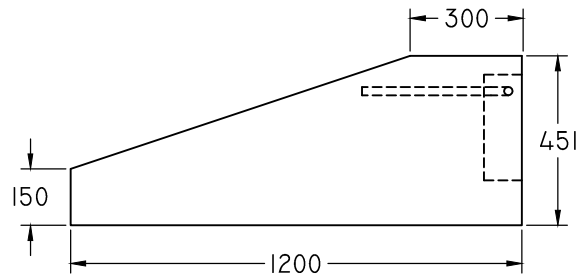
TOP VIEW



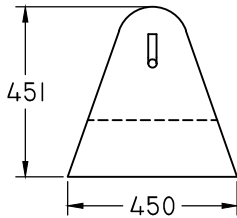
TOP VIEW



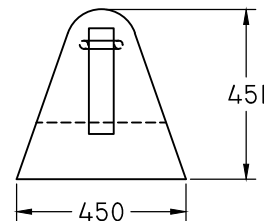
ELEVATION



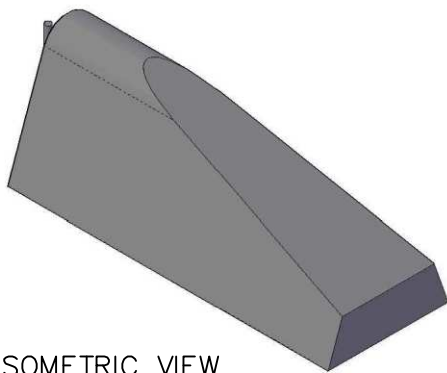
ELEVATION



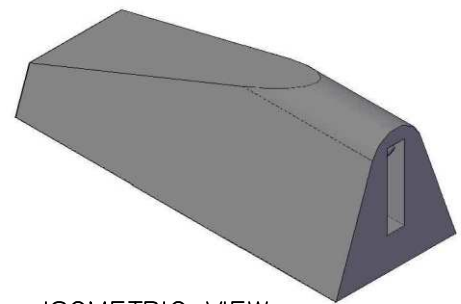
END VIEW



END VIEW



ISOMETRIC VIEW



ISOMETRIC VIEW

NOTE:

- MASS OF PIECE 300 KG (660 lbs)
- CONCRETE 30 MPa AT 28 DAYS

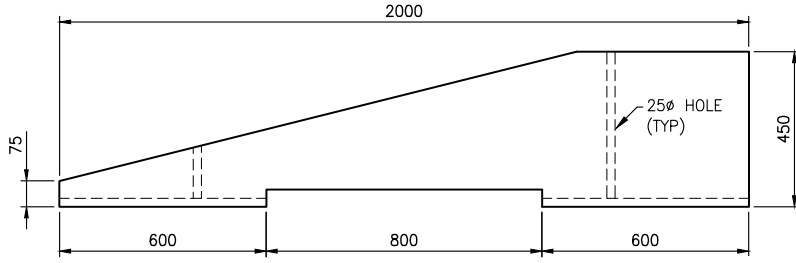
Need Help? Contact us today to request a quote or get more information about our products & services.

RED DEER PLANT Office: 403-343-8000
Toll Free: 800-859-5541

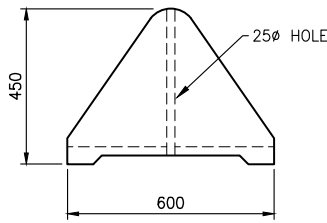
CALGARY PLANT Office: 403-261-3851
Toll Free: 800-859-5541

HEAD OFFICE Office: 403-343-6099
Toll Free: 800-859-5541

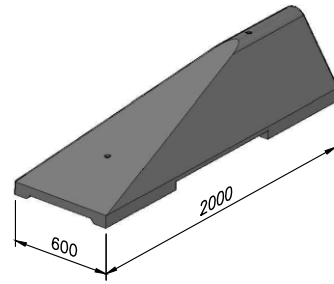




ELEVATION - 2m BARRIER



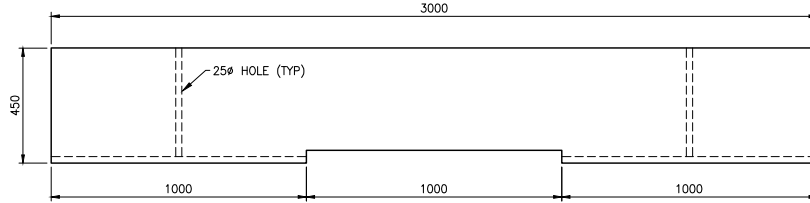
END VIEW



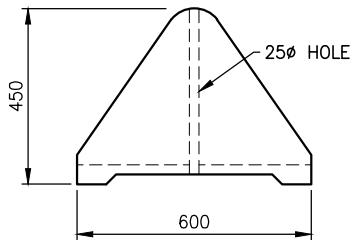
ISOMETRIC VIEW - 2m BARRIER

NOTE:

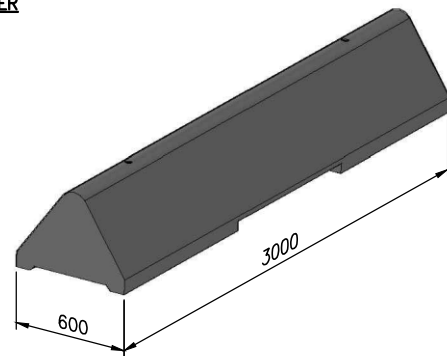
- MASS OF PIECE 413kg (910 lbs)
- CONCRETE 35MPa AT 28 DAYS



ELEVATION - 3m BARRIER



END VIEW



ISOMETRIC VIEW - 3m BARRIER

NOTE:

- MASS OF PIECE 991kg (2185 lbs)
- CONCRETE 35MPa AT 28 DAYS

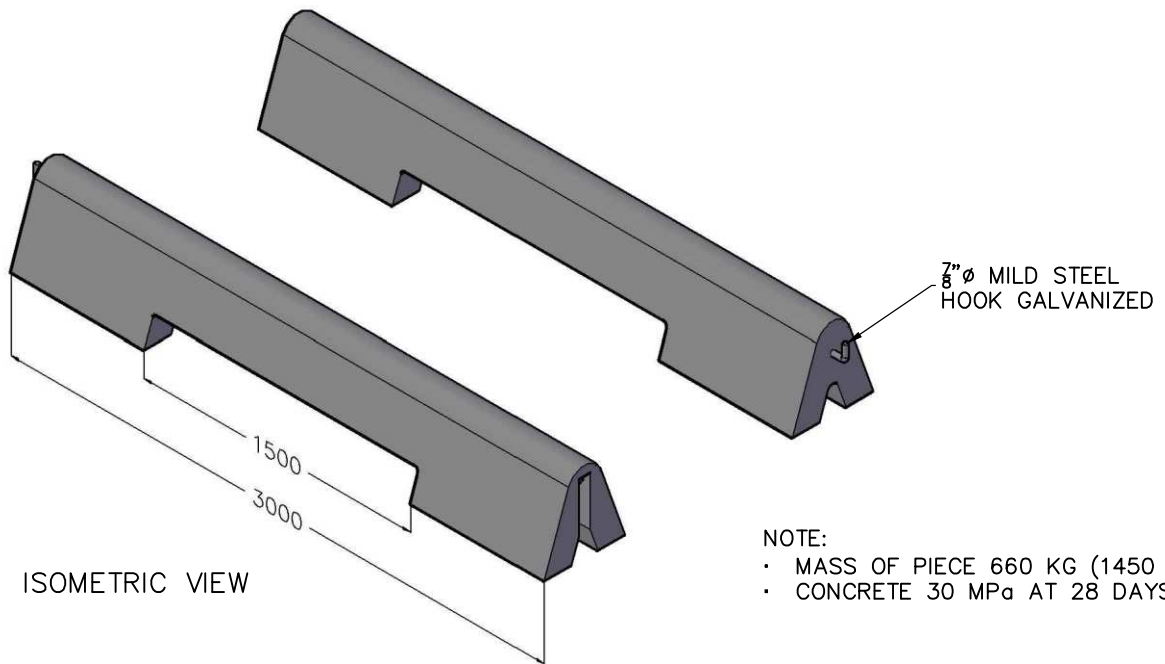
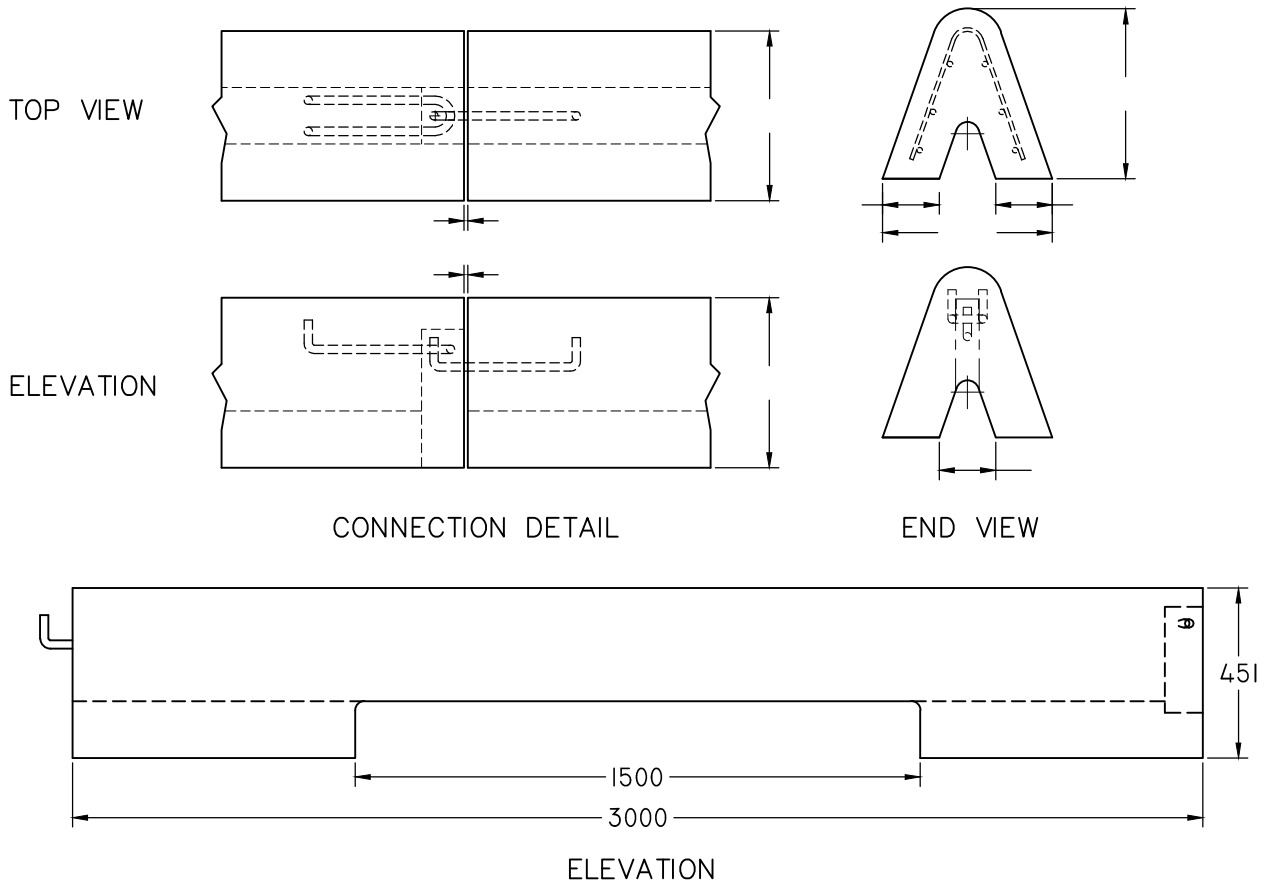
Need Help? Contact us today to request a quote or get more information about our products & services.

RED DEER PLANT Office: 403-343-8000
Toll Free: 800-859-5541

CALGARY PLANT Office: 403-261-3851
Toll Free: 800-859-5541

HEAD OFFICE Office: 403-343-6099
Toll Free: 800-859-5541





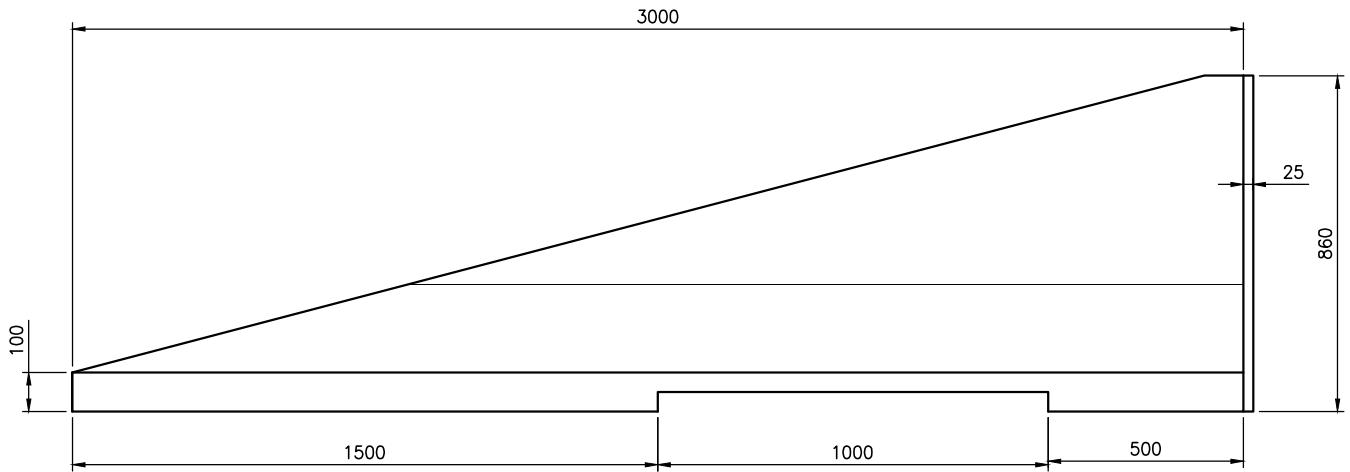
Need Help? Contact us today to request a quote or get more information about our products & services.

RED DEER PLANT Office: 403-343-8000
Toll Free: 800-859-5541

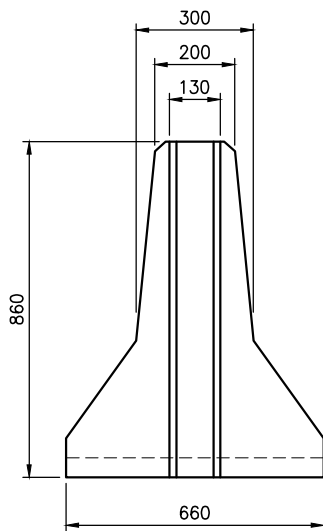
CALGARY PLANT Office: 403-261-3851
Toll Free: 800-859-5541

HEAD OFFICE Office: 403-343-6099
Toll Free: 800-859-5541

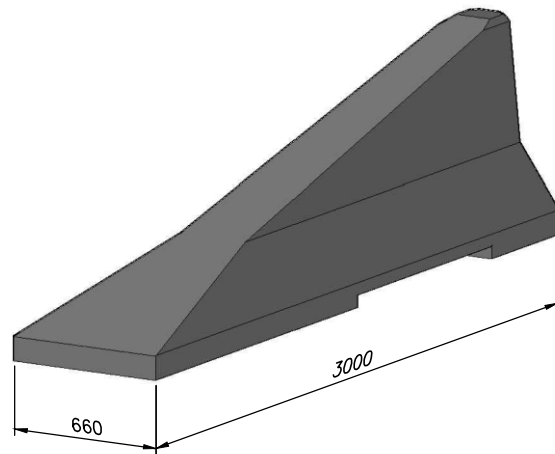




ELEVATION – 3m BARRIER



END VIEW



ISOMETRIC VIEW – 3m BARRIER

NOTE:

- MASS OF PIECE 1884kg (4153 lbs)
- CONCRETE 35MPa AT 28 DAYS

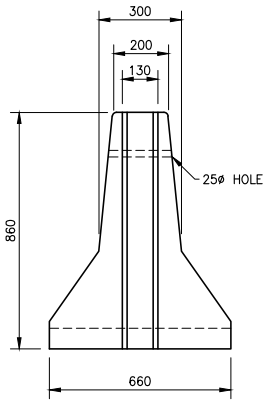
Need Help? Contact us today to request a quote or get more information about our products & services.

RED DEER PLANT Office: 403-343-8000
Toll Free: 800-859-5541

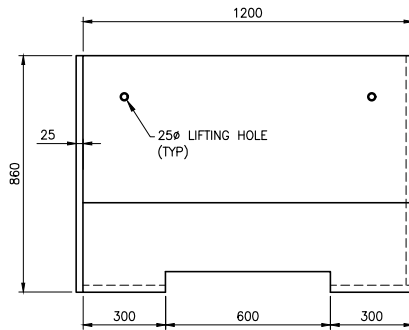
CALGARY PLANT Office: 403-261-3851
Toll Free: 800-859-5541

HEAD OFFICE Office: 403-343-6099
Toll Free: 800-859-5541

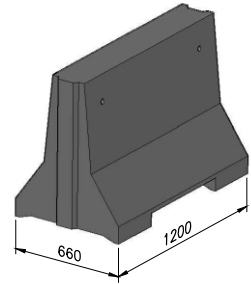




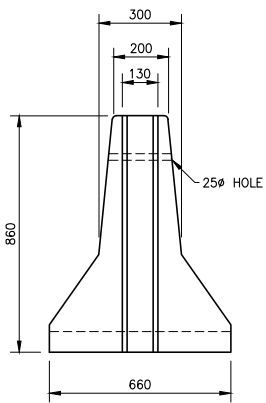
END VIEW



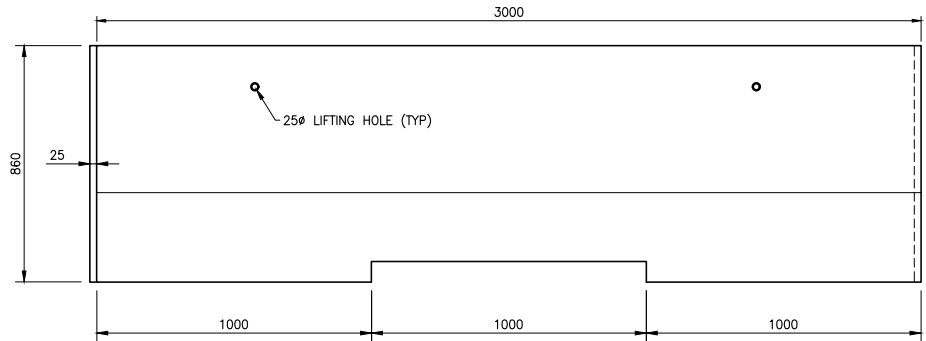
ELEVATION – 1.2m BARRIER



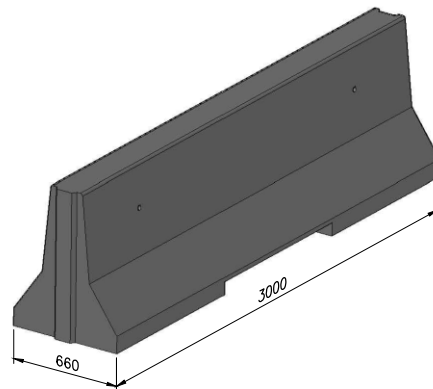
ISOMETRIC VIEW – 1.2m BARRIER



END VIEW



ELEVATION – 3m BARRIER



ISOMETRIC VIEW – 3m BARRIER

NOTE:

- MASS OF PIECE 2039kg (4495 lbs) FOR 3000mm
- MASS OF PIECE 815kg (1797 lbs) FOR 1200mm
- CONCRETE 35MPa AT 28 DAYS

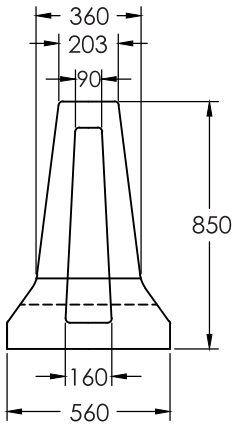
Need Help? Contact us today to request a quote or get more information about our products & services.

RED DEER PLANT Office: 403-343-8000
Toll Free: 800-859-5541

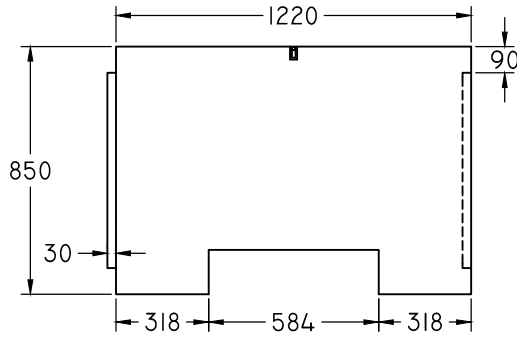
CALGARY PLANT Office: 403-261-3851
Toll Free: 800-859-5541

HEAD OFFICE Office: 403-343-6099
Toll Free: 800-859-5541

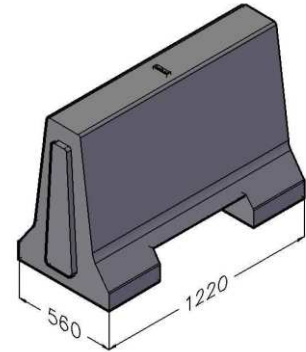




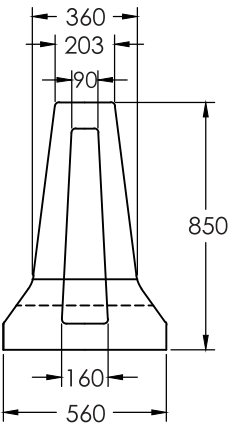
END VIEW



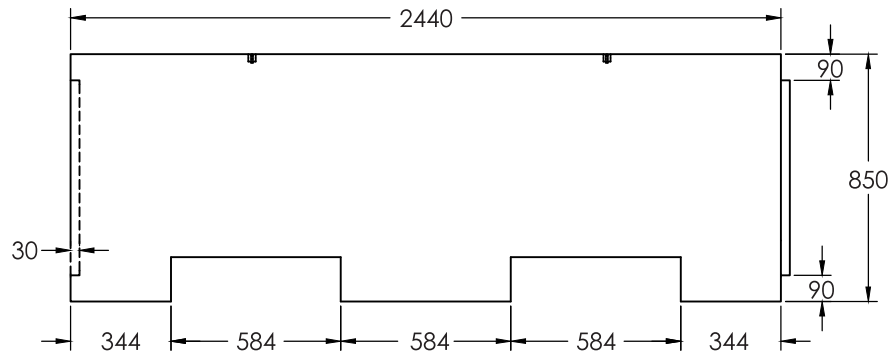
ELEVATION - 1.22m BARRIER



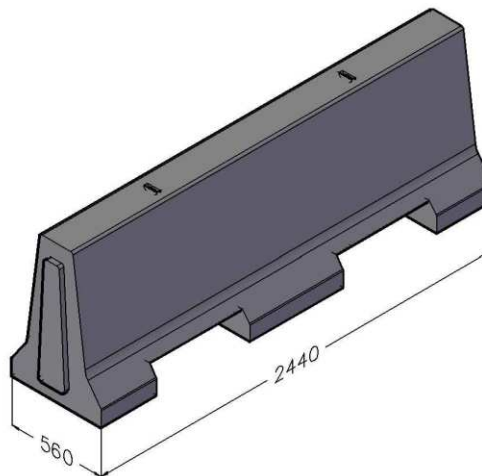
ISOMETRIC VIEW - 1.22m BARRIER



END VIEW



ELEVATION - 2.44m BARRIER



ISOMETRIC VIEW - 2.44m BARRIER

NOTE:

- MASS OF PIECE 740 KG (1628 lbs) FOR 1.22m
- MASS OF PIECE 1480 KG (3256 lbs) FOR 2.44m
- CONCRETE 30 MPa A1 28 DAYS

PRODUCT: NFB8 & NFB4

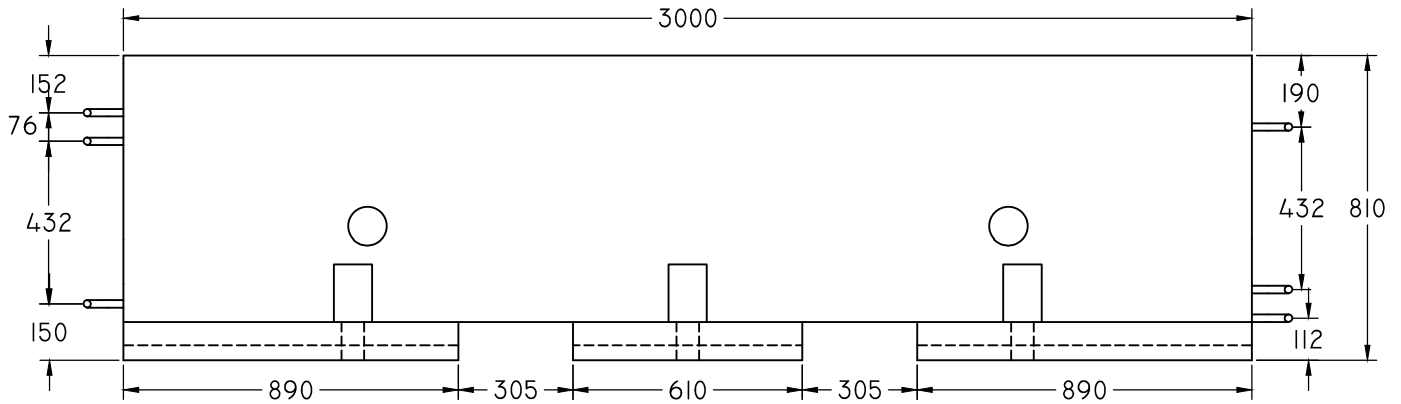
Need Help? Contact us today to request a quote or get more information about our products & services.

RED DEER PLANT Office: 403-343-8000
Toll Free: 800-859-5541

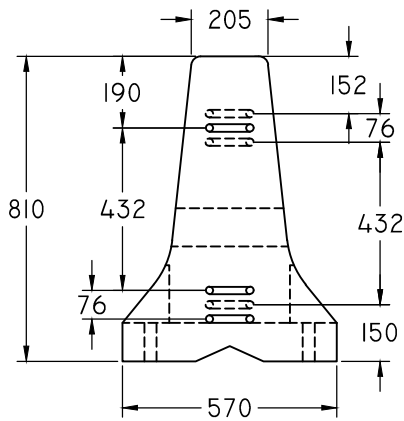
CALGARY PLANT Office: 403-261-3851
Toll Free: 800-859-5541

HEAD OFFICE Office: 403-343-6099
Toll Free: 800-859-5541

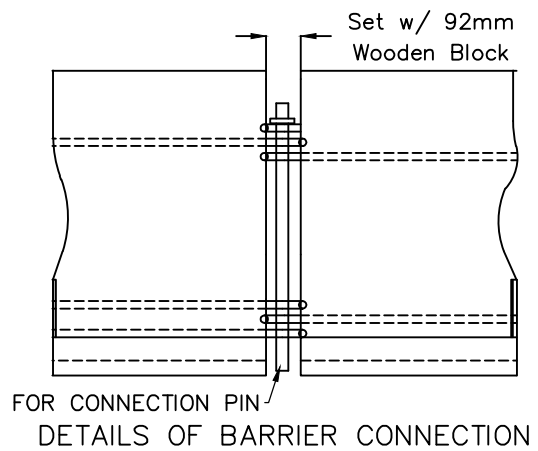




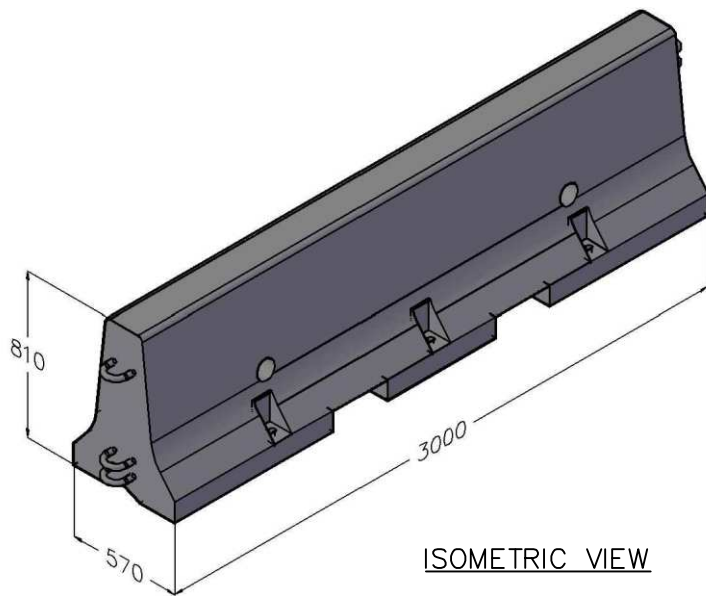
ELEVATION



END VIEW



DETAILS OF BARRIER CONNECTION



ISOMETRIC VIEW

NOTE:

- MASS OF PIECE 1680 KG (3696 lbs)
- CONCRETE 30 MPa AT 28 DAYS

Need Help? Contact us today to request a quote or get more information about our products & services.

RED DEER PLANT Office: 403-343-8000
Toll Free: 800-859-5541

CALGARY PLANT Office: 403-261-3851
Toll Free: 800-859-5541

HEAD OFFICE Office: 403-343-6099
Toll Free: 800-859-5541

